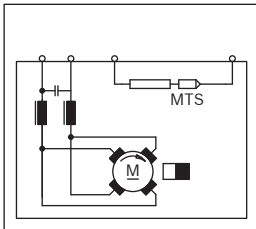
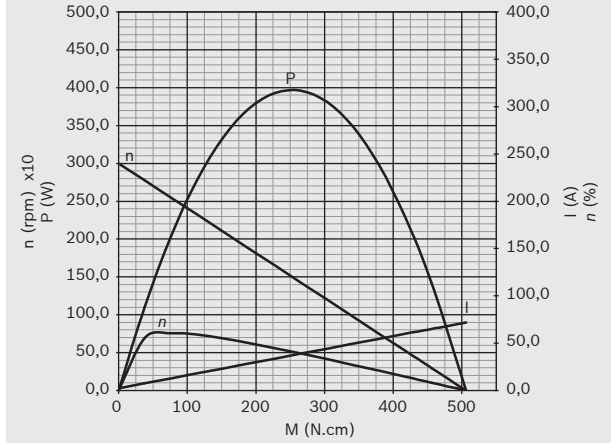


GPB

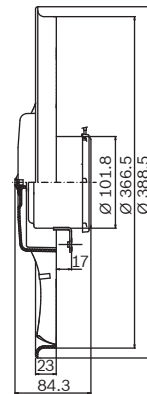
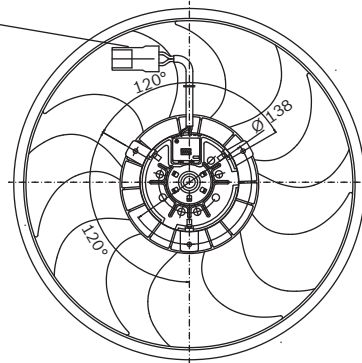
24 V 175 W



U_N	24 V
P_N	175 W
n_N	2.600 rpm
I_N	12,5 A
M_A	506 N.cm
Rot.	R
S	S1
IP	IP 03
kg	1,350 kg
	F 006 KM0 60N



Terminal MTA 17.07675

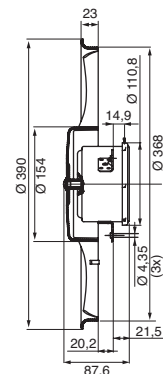
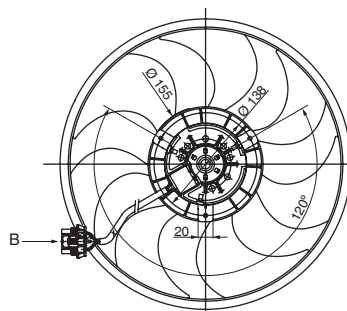
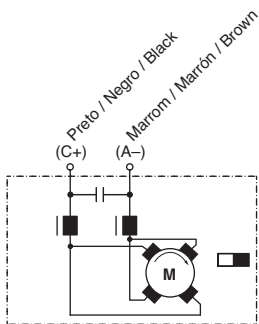
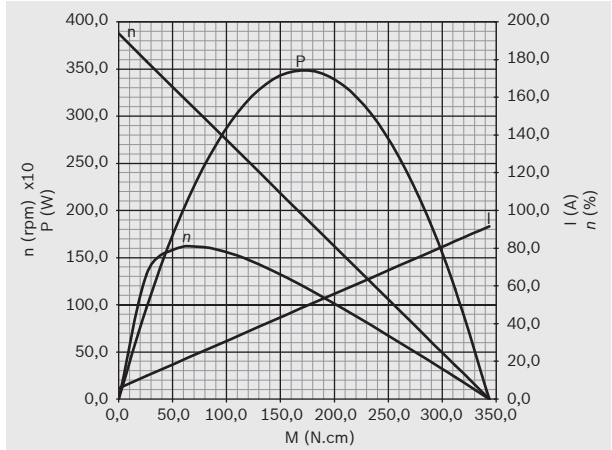


GPB

12 V 218 W



U_N	12 V
P_N	218 W
n_N	3.100 rpm
I_N	23,5 A
M_A	344 N.cm
Rot.	R
S	S1
IP	IP 03
kg	1,595 kg
	F 006 KM0 611



Vista "B" / View "B"